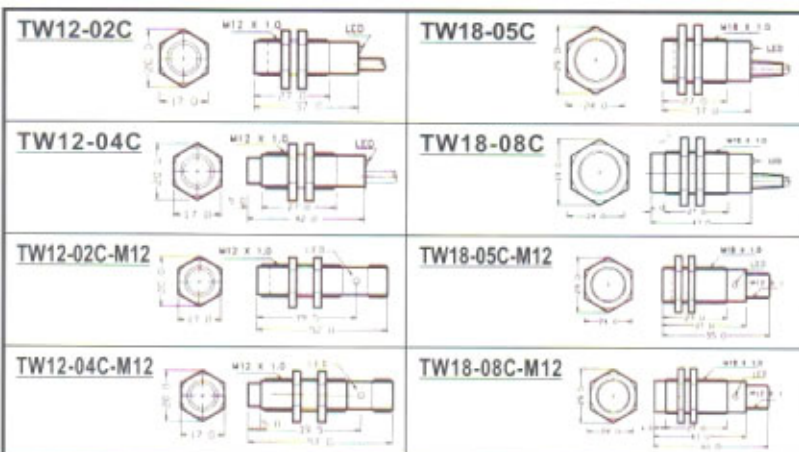


DC TWO WIRES TYPE 兩線式 近接開關

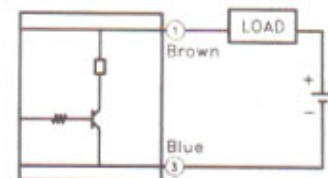
- ✧ HIGH RELIABILITY WITH SHORT CIRCUIT & POLARITY REVERSED PROTECTION CIRCUIT
- ✧ POSITIVE OUTPUT OR NEGATIVE OUTPUT ARE ABAILABE
- ✧ PROTECTION CLASS : IP-67
- ✧ LOW LEAKAGE CURRENT : 0.8 mA MAX.

SPECIFICATION 規格

Outline	外形	M12		M18	
Model	型號	TW12-02C	TW12-04C	TW18-05C	TW18-08C
Mounting method	安裝方式	Flushed	Non-Flushed	Flushed	Non-Flushed
Sensing distance	檢測距離	2.0 mm	4.0 mm	5.0 mm	8.0 mm
Setting distance	有效距離	0~1.6 mm	0~3.2 mm	0~4.0 mm	0~6.4 mm
Response Frequency	應答速度	1.0 KHz	800 Hz	500 Hz	400 Hz
Hysteresis	感差	10 % of Sensing Distance max.			
Operating voltage	工作電壓	10-30 VDC; Ripple < ±20% of peak to peak			
Leakage current	漏電流	0.8 mA max.			
Residual voltage	殘留電壓	4.0V max.			
Output current	輸出電流	5.0-150.0 mA			
Protection circuit	保護迴路	Short Circuit & Polarity Reversed Protection			
Connection method	出線方式	2 Cores/4.0φ -2m or M12 Connector			
Housing material	外殼材質	Cu Plated Ni			
Protection class	保護方式	IP-67			
Operating circumstance	工作環境	-20℃ ~ 80℃			



POSITIVE OUTPUT CONNECTION



NEGATIVE OUTPUT CONNECTION

